



XTP/A

ATC BELT DRIVE HIGH EFFICIENCY PROPELLER TUBE AXIAL FANS

24", 30", 36", 42" DIAMETER IN ADJUSTABLE PITCH ANGLE

The XTP/A series are high efficiency heavy duty supply and exhaust tubular fans designed with prepunched mounting flanges in order to be easily mounted in any orientation. These ATC Tube Axial Fans are available in 23 different models with four different propeller diameters in variable pitch angle which can handle moderately contaminated air with operating temperatures up to 185°F (85°C); since, the motor, bearings and drive components are isolated from the airstream.



Construction Features:

- Tubular housing, flanges, motor and drive stands are made of heavy gauge all welded steel construction with a corrosion resistant electrostatically applied polyester powder coating finish.
- The high performance spark resistant die cast aluminum or polypropylene reinforced fiberglass fan blades are available in 24", 30", 36" and 42" diameters with 7 blades in adjustable pitch angle.
- All heavy duty three phase, 4 pole motors are Totally Enclosed Fan Cooled (TEFC) and are manufactured in cast iron with IP55 protection and class F insulation.

Applications:

Exhaust hoods in industrial processing, painting booths, fume, smoke or any contaminated air exhaust, etc.

NOMENCLATURE: $\frac{X}{1} \frac{T}{2} \frac{P}{3} / \frac{A}{4} - \frac{30}{3} / \frac{25}{4}^{\circ}$

1. Fan Model
2. Propeller Type: P: Polypropylene, A: Aluminum
3. Propeller diameter in inches
4. Pitch angle

PERFORMANCE DATA

MODEL	AIR FLOW @ 0" W.G.		CURRENT (A) @ 60 HZ 3 PHASE		POWER (HP)	RPM	SOUND PRESSURE LEVEL dB (A)*	ESTIMATED WEIGHT	
	CFM	M ³ /HR	220V	440V				Lb.	Kg.
XTP/A-24/25°	5,890	10,007	3.0	1.5	3/4	1300	62	92	42
XTP/A-24/30°	7,130	12,114	4.0	2.0	1	1300	66	97	44
XTP/A-24/35°	8,410	14,289	5.2	2.6	1.5	1300	70	108	49
XTP/A-24/40°	9,460	16,073	6.6	3.3	2	1300	72	114	52
XTP/A-24/45°	10,300	17,500	9.8	4.9	3	1300	74	136	62
XTP/A-30/20°	7,800	13,252	4.0	2.0	1	1300	67	122	55
XTP/A-30/25°	10,100	17,160	5.2	2.6	1.5	1300	72	132	60
XTP/A-30/30°	12,400	21,068	6.6	3.3	2	1300	76	138	63
XTP/A-30/32.5°	13,700	23,276	9.8	4.9	3	1300	79	161	73
XTP/A-30/35°	15,000	24,485	9.8	4.9	3	1300	81	161	73
XTP/A-30/37.5°	16,100	27,354	15.0	7.5	5	1300	82	176	80
XTP/A-30/40°	17,200	29,223	15.0	7.5	5	1300	83	176	80
XTP/A-30/45°	19,400	32,961	15.0	7.5	5	1300	86	176	80
XTP/A-36/25°	13,500	22,937	6.6	3.3	2	1300	66	176	80
XTP/A-36/30°	17,400	29,563	9.8	4.9	3	1300	72	198	90
XTP/A-36/35°	21,600	36,698	15.0	7.5	5	1300	76	213	97
XTP/A-36/37.5°	23,500	39,927	15.0	7.5	5	1300	78	213	97
XTP/A-36/40°	25,400	43,155	23.0	11.5	7.5	1300	80	244	111
XTP/A-42/30°	21,000	35,679	15.0	7.5	5	1100	76	250	113
XTP/A-42/32.5°	23,900	40,606	15.0	7.5	5	1100	79	250	113
XTP/A-42/35°	26,800	45,533	15.0	7.5	5	1100	81	250	113
XTP/A-42/37.5°	29,100	49,441	23.0	11.5	7.5	1100	83	280	127
XTP/A-42/40°	31,400	53,349	23.0	11.5	7.5	1100	85	280	127

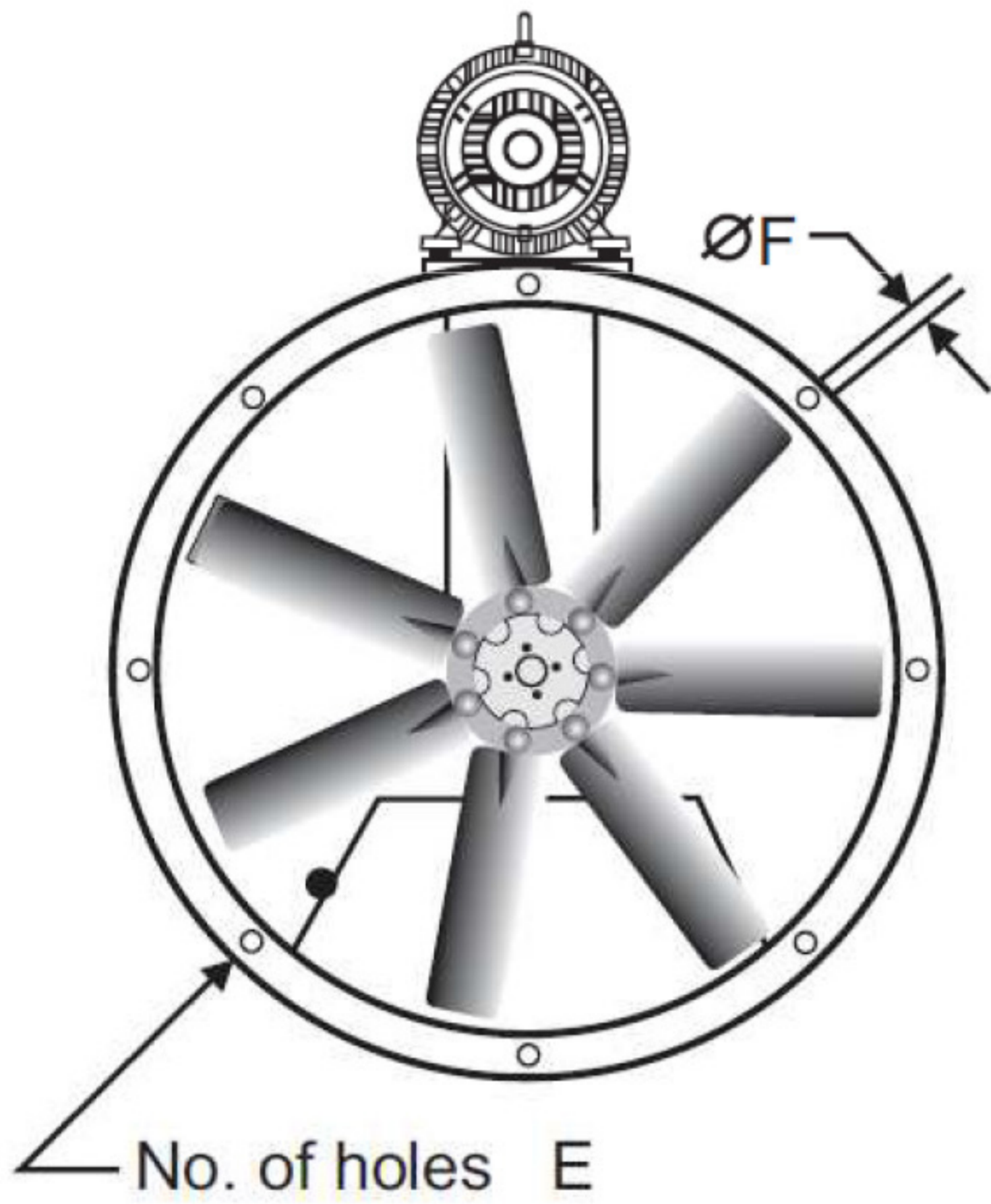
* Sound Pressure measured in a free field with 1/2 spherical propagation at a distance of 1.5 meter (5 feet) from the source according to AMCA Standard 301.

XTP/A

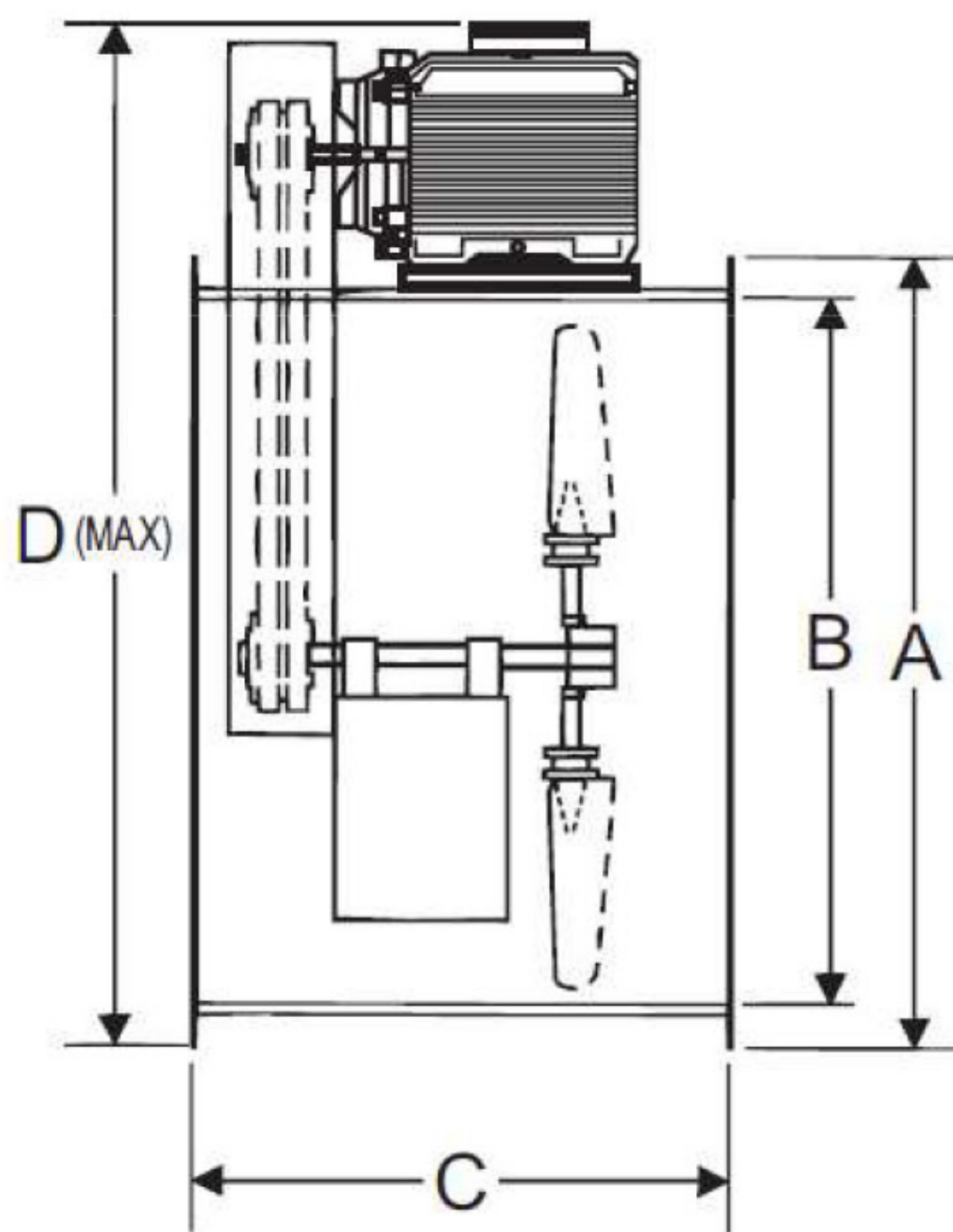
ATC BELT DRIVE HIGH EFFICIENCY PROPELLER TUBE AXIAL FANS

24", 30", 36", 42" DIAMETER IN ADJUSTABLE PITCH ANGLE

FRONT VIEW



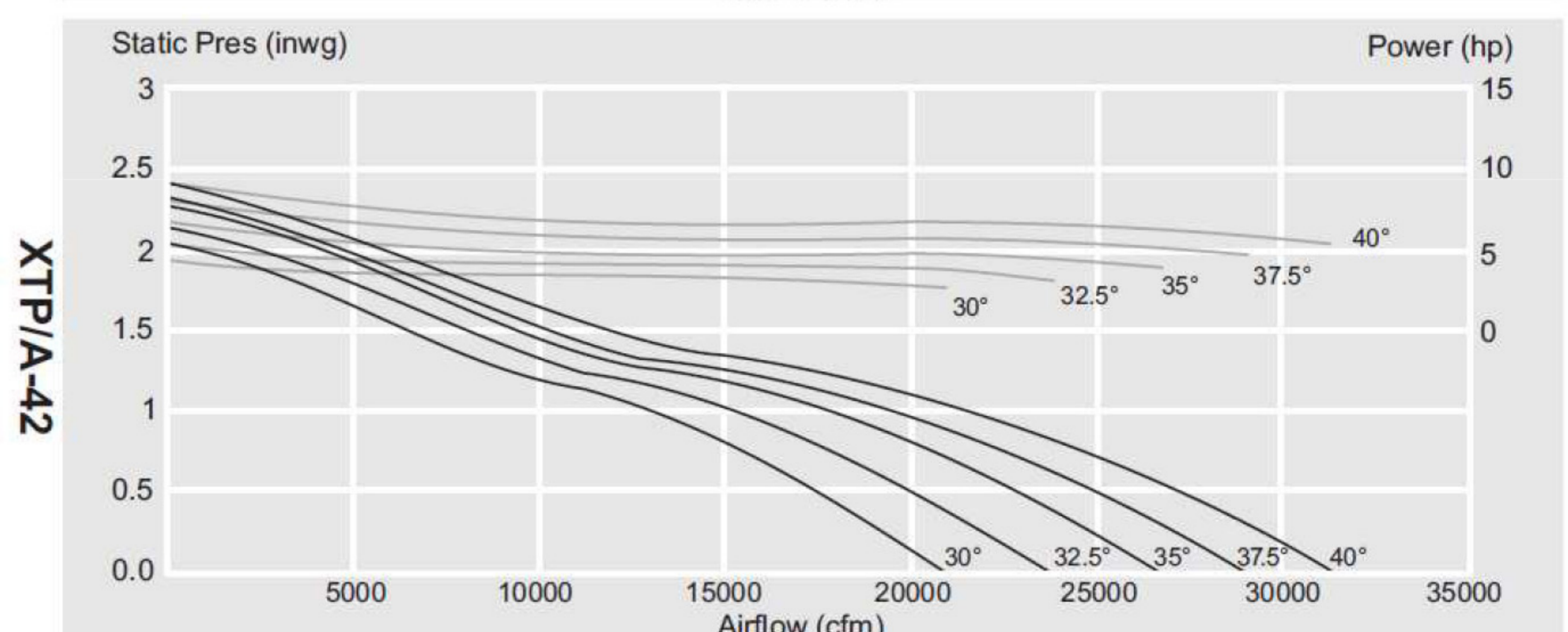
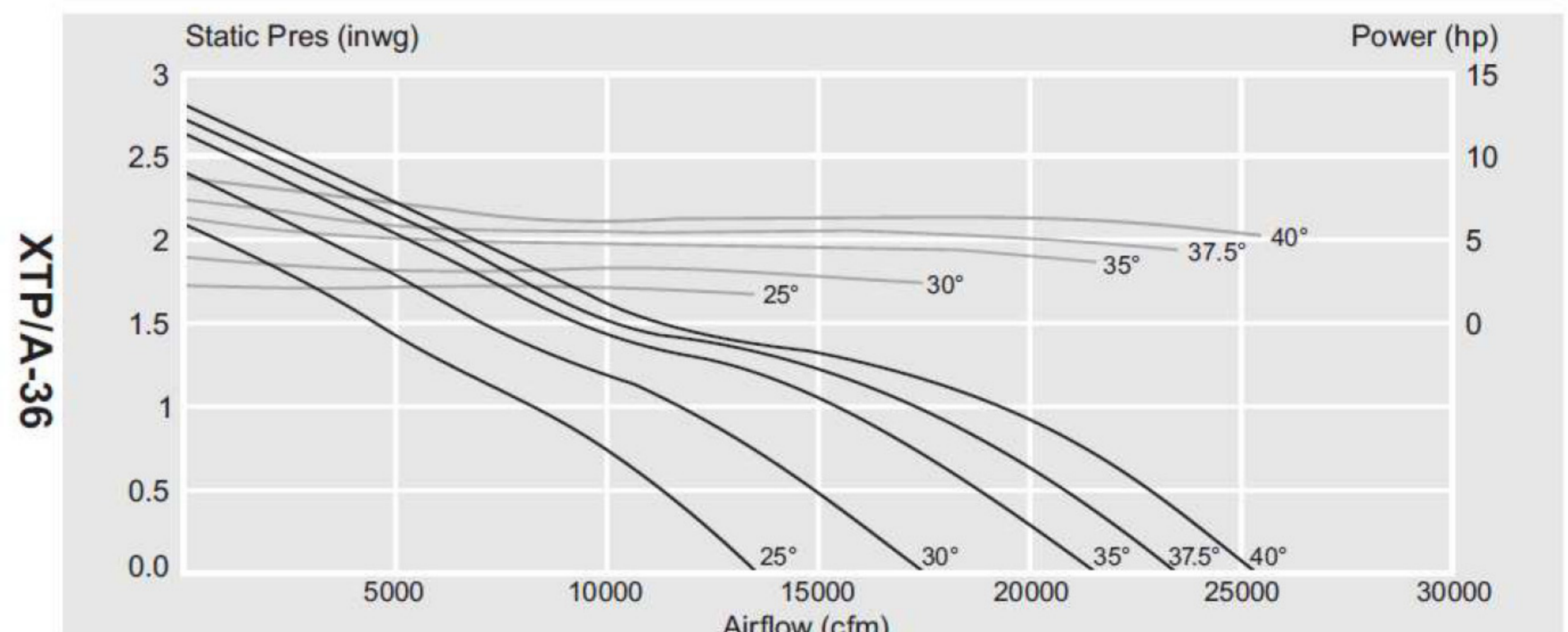
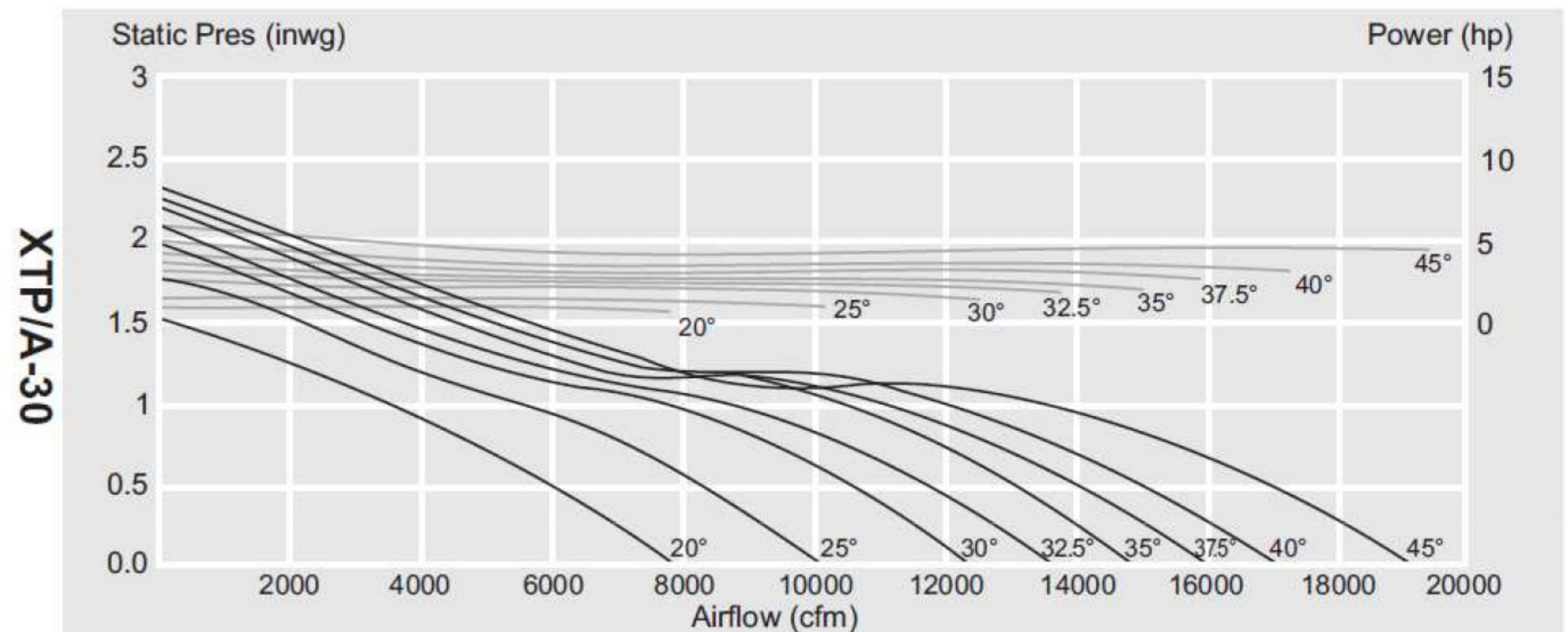
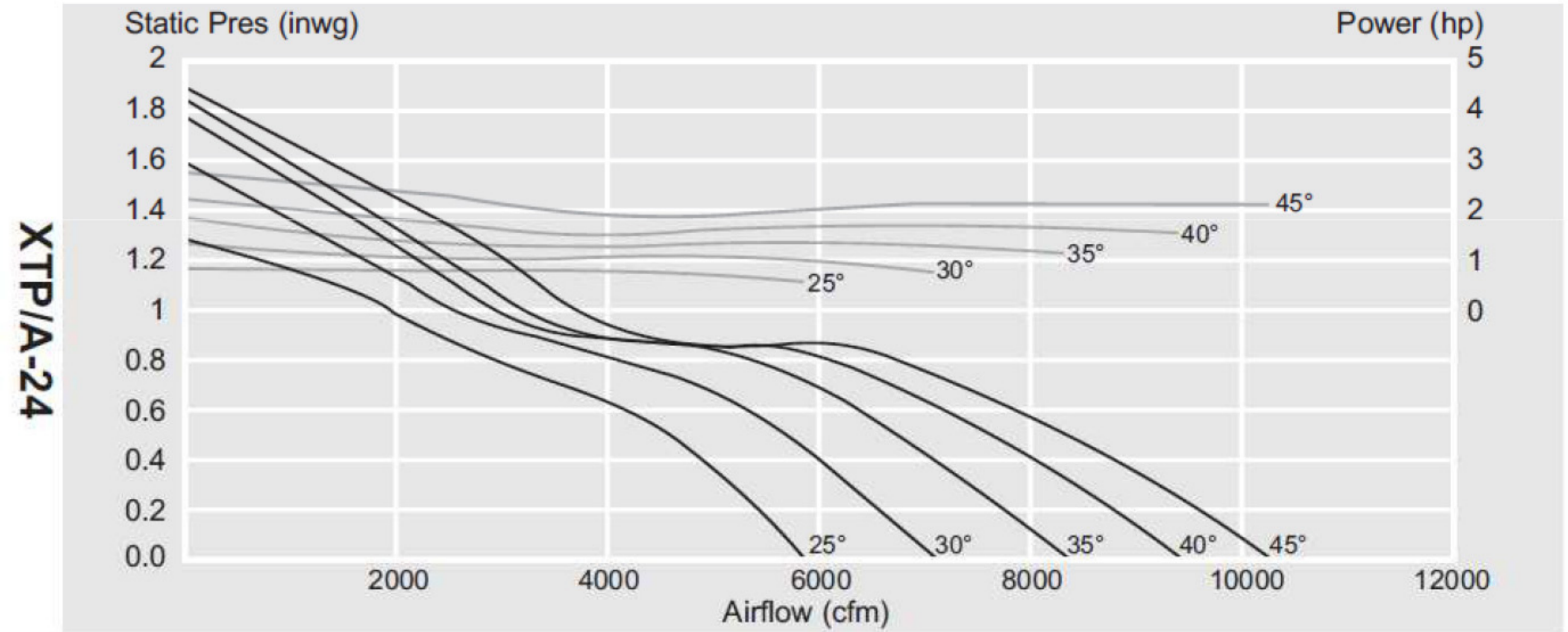
SIDE VIEW



DIMENSIONS

MODEL	Inches					
	A	B	C	D(MAX)	E	ØF
XTP/A-24	28	25	16 1/2	40	8	1/2
XTP/A-30	35	31	16 1/2	47	8	1/2
XTP/A-36	41	37	24	55	8	1/2
XTP/A-42	47	43	24	61	8	1/2

PERFORMANCE CURVES



Authorized Distributor:

